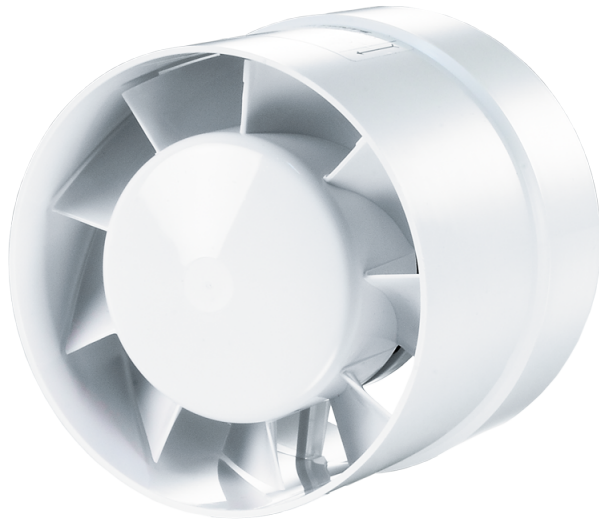


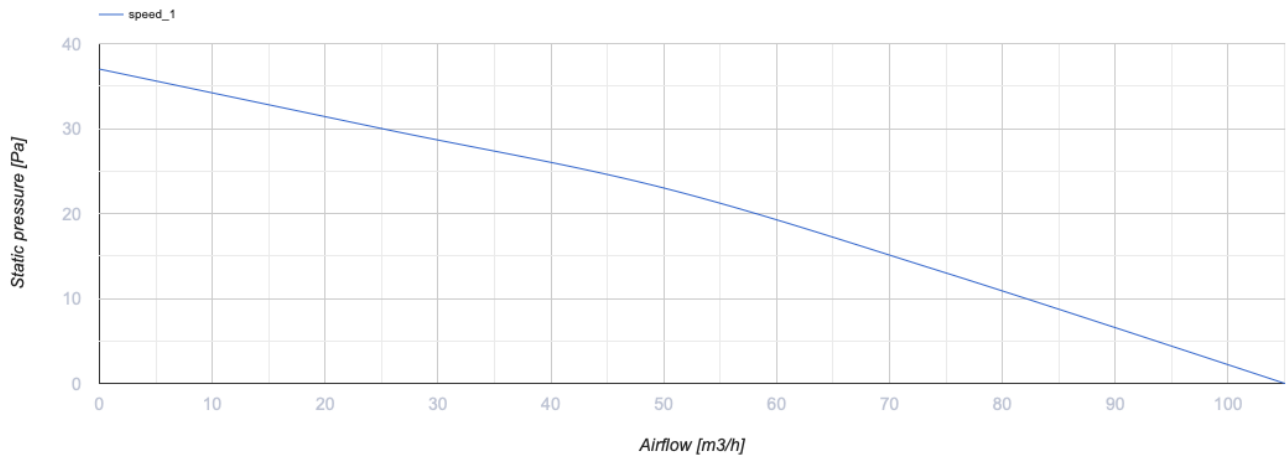
100 VKO



Axial inline fans, for exhaust or supply ventilation

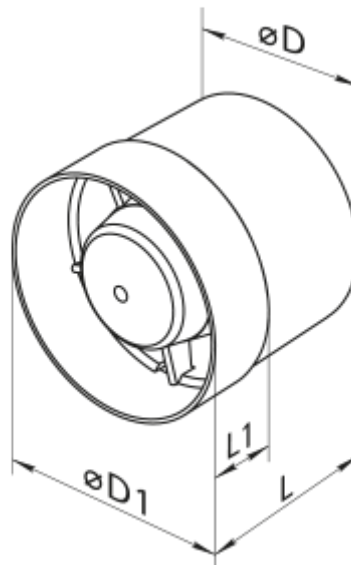
- Maximum airflow: 105
- Sound pressure level LpA at 3 m: 37
- Motor type: AC
- Casing material: Plastic

| | Unit of measurement | 100 VKO |
|---------------------------------|---------------------|---------|
| Connected air duct size | mm | 100 |
| Speed | - | 1 |
| Minimum supply voltage | V | 220 |
| Maximum supply voltage | V | 240 |
| Power supply frequency | Hz | 50/60 |
| Rated power | W | 14 |
| Unit current | A | 0.085 |
| Maximum airflow | m ³ /h | 105 |
| Sound pressure level LpA at 3 m | dB(A) | 37 |
| Weight | kg | 0.41 |
| Ambient air temperature min | °C | 1 |
| Ambient air temperature max | °C | 40 |
| Ingress protection rating | - | IPX4 |

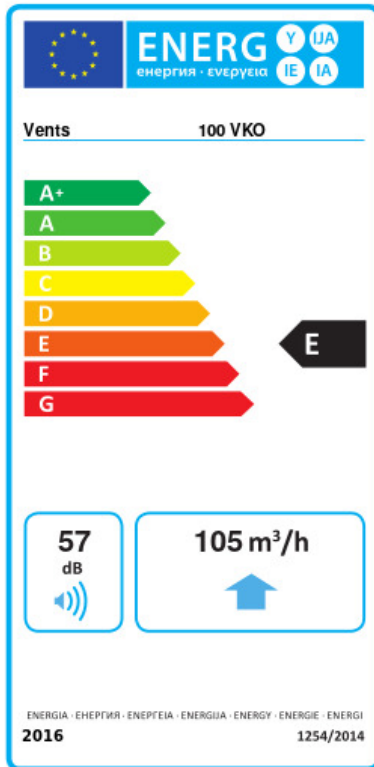


Dimensions

| ØD | ØD1 | L | L1 |
|-----------|------------|----------|-----------|
| 100 | 104 | 91 | 31 |



Ecodesign



| | | | | | | |
|---|----------------|---------|---------|---|------|---|
| Trademark | Vents | | | | | |
| Model | 100 VKO | | | | | |
| Specific energy consumption (SEC) (kWh/(m ² /a)) | Cold | | Average | | Warm | |
| | 31 | B | 14 | E | 5 | F |
| Type of ventilation unit | Unidirectional | | | | | |
| Type of drive installed | Multi-speed | | | | | |
| Type of heat recovery system | None | | | | | |
| Maximum flow rate (m ³ /h) | 105 | | | | | |
| Electric power input (W) | 14 | | | | | |
| Reference flow rate (m ³ /s) | 0.02 | | | | | |
| Specific power input (SPI) (W/(m ³ /h)) | 0.086 | | | | | |
| Control typology | Manual control | | | | | |
| Maximum external leakage rates (%) | 2.7 | | | | | |
| Declared typology | RVU UVU | | | | | |
| Sound power level (dB(A)) | 57 | | | | | |
| The annual electricity consumption (AEC) (kWh/a) | Cold | Average | Warm | | | |
| | 100 | 100 | 100 | | | |
| The annual heating saved (AHS) (kWh/a) | Cold | Average | Warm | | | |
| | 3400 | 1700 | 800 | | | |