



# TD-MIXVENT

5211320600 - TD-250/100 (220-240V 50) RE - IN-LINE DUCT FANS



Range of low profile in-line mixed flow duct fans manufactured in tough reinforced plastic (from 160 to 200 models) or in galvanised steel sheet protected with anti-corrosive epoxy-polyester paint (from 4000 and 6000 models). The unique design of the support bracket allows the motor and impeller assembly to be fitted or removed without dismantling the adjacent ducting.

## Motors

Models 160 to 2000:

IP44, Class B, with permanently lubricated ball bearings and thermal protector.

Supply voltage:

2-speed single-phase, 230V-50Hz (models 160 to 350)

3-speed single-phase, 230V-50/60Hz (models 500 to 2000)

Speed controllable by tension.

Models 4000 to 6000:

IP44, Class B, with permanently lubricated ball bearings and thermal protector.

Supply voltage:

Single-phase 1-speed 230V-50/60Hz, Speed controllable by tension.

## Theoretical Working Point

Airflow	-
Static Pressure	0,000 Pa
Temperature	20 °C
Altitude	0 m
Density	1,2 kg/m <sup>3</sup>
Frequency	50 Hz

## Construction

Discharge diameter	100 mm
Fan size	100
Blades	0
Weight	1,71 kg

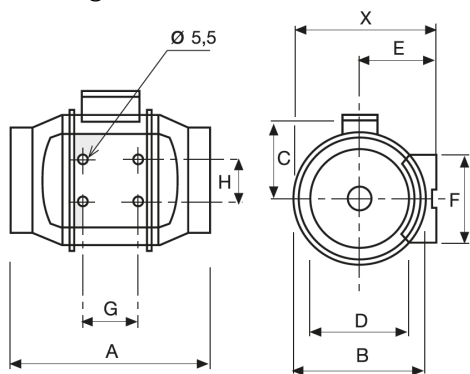
## Motor Characteristics

Number of poles	2
Voltage	1-230V-50Hz
Maximum absorbed current	0,1 A
IP Rating	IP44
Motor insulation class	B

## Working Point

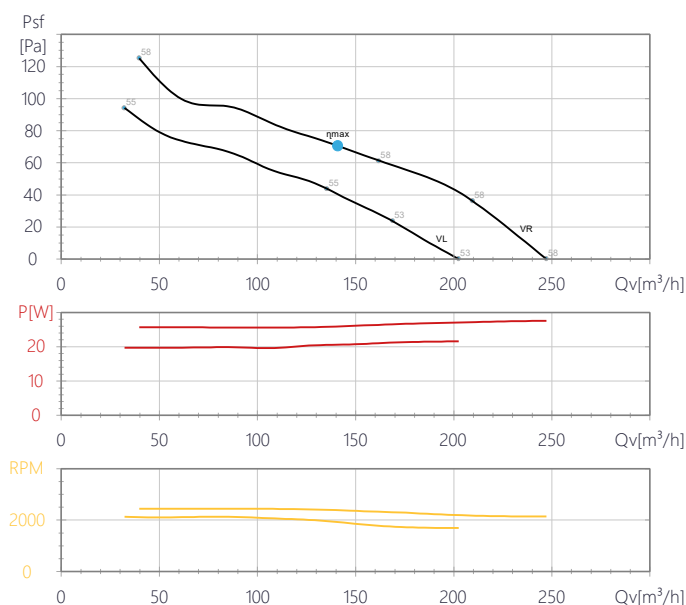
Fan speed	2140
-----------	------

## Drawing



X	A	B	C	D	E	F	G	H
188	303	176	115	97	100	90	80	60

## Performance Chart





# TD-MIXVENT

5211320600 - TD-250/100 (220-240V 50) RE - IN-LINE DUCT FANS

## Sound Performance

	63	125	250	500	1k	2k	4k	8k	Overall
<b>Inlet (LwA)</b>	28	32	51	54	54	48	38	28	58
<b>Inlet LpA @ 1m</b>	17	21	40	43	43	37	27	17	47
<b>Outlet (LwA)</b>	20	28	51	53	53	49	39	29	58
<b>Outlet LpA @ 1m</b>	9	17	40	42	42	38	28	18	47
<b>Surrounding (LwA)</b>	18	21	50	44	48	46	31	20	54
<b>Surrounding LpA @ 1m</b>	7	10	39	33	37	35	20	9	43





# TD-MIXVENT

5211320600 - TD-250/100 (220-240V 50) RE - IN-LINE DUCT FANS



## ErP Data

Ecodesign	
Commission regulation (EU) N°1253/2014 of July 2014	
Information requirements (Annex V)	
ProductoComercial	TD-250/100 (220-240V 50) RE
Identifier	5211320600
SEC average climate (kWh/(m2.an))	-12
SEC class	NA
SEC cold climate (kWh/(m2.an))	-28,4
SEC warm climate (kWh/(m2.an))	-2,6
Typology	RVU unidirectional
Type of drive	2-speed
Type of HRC	None
Thermal efficiency (%)	0
Maximum flow rate (m3/h)	173
Electrical power input at maximum flow rate (W)	26
Sound power level (LWA)	53
Reference flow rate (m3/s)	0,034
Reference pressure difference (Pa)	50
SPI (W/m3/h)	0,165
Control factor	1
Control typology	Manual
Maximum internal leakage for BVU (%)	Not applicable
Maximum external leakage for BVU and UVU (%)	5
Mixing rate for BVU without duct connection (%)	Not applicable
Position of visual filter warning	Not applicable
description of visual filter warning	Not applicable
Instructions to install supply grilles	F&W Leaflet
Instructions to install exhaust grilles	F&W Leaflet
<a href="https://www.solerpalau.com/">https://www.solerpalau.com/</a>	
Airflow sensitivity to pressure variation	Not applicable
Indoor/outdoor air tightness (m3/h)	Not applicable
Annual electricity consumption - Average climate (kWh/a)	207
Annual electricity consumption - Warm climate (kWh/a)	207
Annual electricity consumption - Cold climate (kWh/a)	207
Annual heating saved - Average climate (kWh/a)	1715
Annual heating saved - Warm climate (kWh/a)	776
Annual heating saved - Cold climate (kWh/a)	3355