



TD-MIXVENT

5211302400 - TD-500/160 (230-240V 50Y60) - IN-LINE DUCT FANS



Range of low profile in-line mixed flow duct fans manufactured in tough reinforced plastic (from 160 to 200 models) or in galvanised steel sheet protected with anti-corrosive epoxy-polyester paint (from 4000 and 6000 models). The unique design of the support bracket allows the motor and impeller assembly to be fitted or removed without dismantling the adjacent ducting.

Motors

Models 160 to 2000:

IP44, Class B, with permanently lubricated ball bearings and thermal protector.

Supply voltage:

2-speed single-phase, 230V-50Hz (models 160 to 350)

3-speed single-phase, 230V-50/60Hz (models 500 to 2000)

Speed controllable by tension.

Models 4000 to 6000:

IP44, Class B, with permanently lubricated ball bearings and thermal protector.

Supply voltage:

Single-phase 1-speed 230V-50/60Hz, Speed controllable by tension.

Theoretical Working Point

Airflow	-
Static Pressure	0,000 Pa
Temperature	20 °C
Altitude	0 m
Density	1,2 kg/m ³
Frequency	50 Hz

Construction

Discharge diameter	150 mm
Fan size	150
Blades	0
Weight	2,97 kg

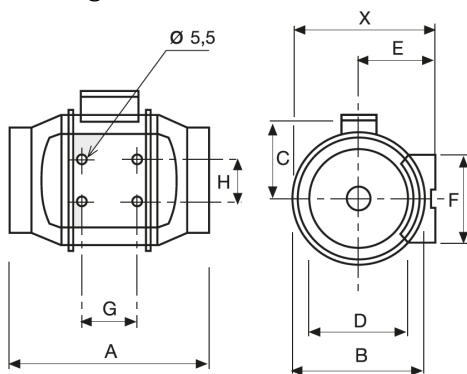
Motor Characteristics

Number of poles	2
Voltage	1-230V-50Hz
Maximum absorbed current	0,2 A
IP Rating	IP44
Motor insulation class	B

Working Point

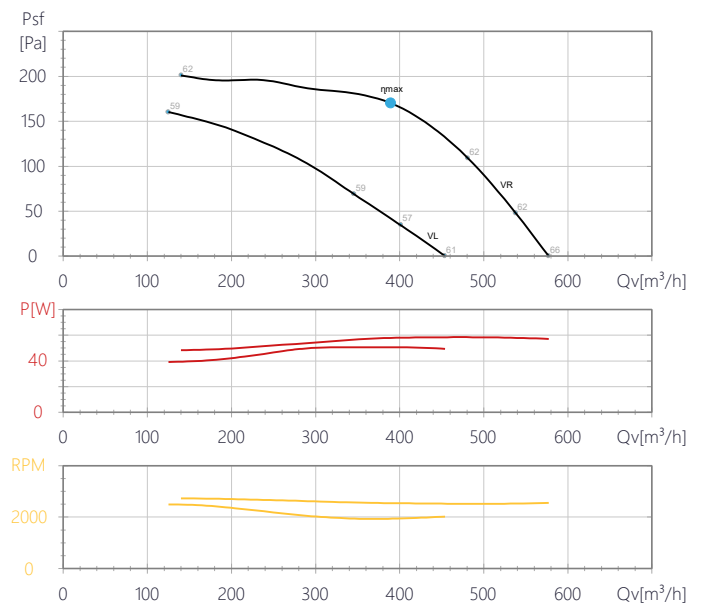
Fan speed	2500
-----------	------

Drawing



X	A	B	C	D	E	F	G	H
212	295	200	127	157	112	130	80	60

Performance Chart





TD-MIXVENT

5211302400 - TD-500/160 (230-240V 50Y60) - IN-LINE DUCT FANS

Sound Performance

	63	125	250	500	1k	2k	4k	8k	Overall
Inlet (LwA)	32	35	54	56	59	62	56	48	65
Inlet LpA @ 1m	21	24	44	46	48	51	45	37	54
Outlet (LwA)	40	38	58	60	63	60	55	46	67
Outlet LpA @ 1m	29	27	47	49	52	49	44	35	56
Surrounding (LwA)	25	32	43	39	44	52	42	29	54
Surrounding LpA @ 1m	14	21	32	28	33	42	31	18	43

