



TD-MIXVENT

5211326300 - TD-500/160 T (230-240V 50Y60) N8 - IN-LINE DUCT FANS



Range of low profile in-line mixed flow duct fans manufactured in tough reinforced plastic. The unique design of the support bracket allows the motor and impeller assembly to be fitted or removed without dismantling the adjacent ducting.

Motors

Single phase 1-speed motors 230V-50Hz. (models from 160 to 350)
 Single phase 3-speed motors, 230V-50/60Hz. (models from 500 to 800)
 Class B, with ball bearings and safety thermal overload protection. IP44.
 Versions fitted with a run-on-timer adjustable within 1 and 30 minutes.
 MIXVENT TD-T not suitable for speed control.

Theoretical Working Point

Airflow	-
Static Pressure	0,000 Pa
Temperature	20 °C
Altitude	0 m
Density	1,2 kg/m ³
Frequency	50 Hz

Construction

Discharge diameter	160 mm
Fan size	160
Blades	0
Weight	2,97 kg

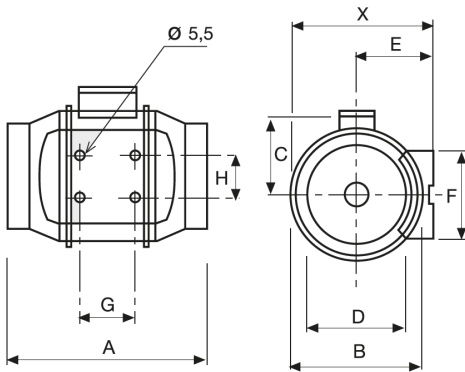
Motor Characteristics

Number of poles	2
Voltage	1-230V-50Hz
Maximum absorbed current	0,2 A
IP Rating	IP44
Motor insulation class	B

Working Point

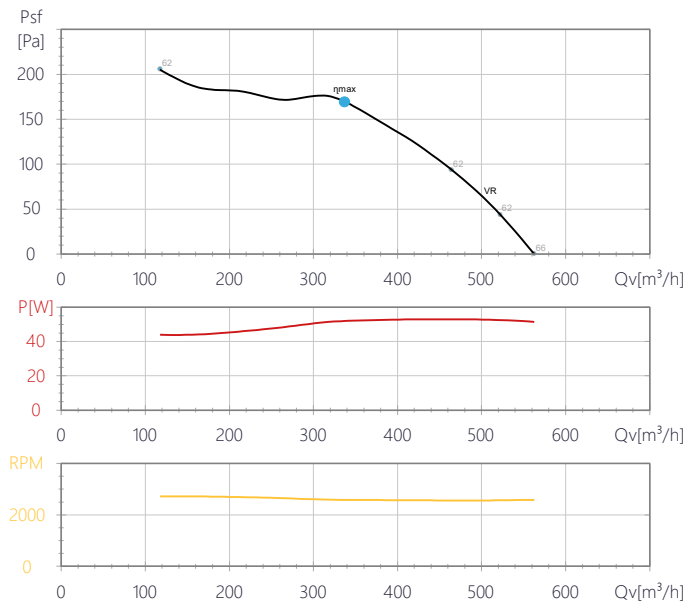
Fan speed	2500
-----------	------

Drawing



X	A	B	C	D	E	F	G	H
212	295	200	127	157	112	130	80	60

Performance Chart





TD-MIXVENT

5211326300 - TD-500/160 T (230-240V 50Y60) N8 - IN-LINE DUCT FANS

Sound Performance

	63	125	250	500	1k	2k	4k	8k	Overall
Inlet (LwA)	32	35	54	56	59	62	56	48	65
Inlet LpA @ 1m	21	24	44	46	48	51	45	37	54
Outlet (LwA)	40	38	58	60	63	60	55	46	67
Outlet LpA @ 1m	29	27	47	49	52	49	44	35	56
Surrounding (LwA)	25	32	43	39	44	52	42	29	54
Surrounding LpA @ 1m	14	21	32	28	33	42	31	18	43





TD-MIXVENT

5211326300 - TD-500/160 T (230-240V 50Y60) N8 - IN-LINE DUCT FANS

ErP Data

Ecodesign	
Commission regulation (EU) N°1253/2014 of July 2014	
Information requirements (Annex V)	
Product description	TD-500/160 T (230-240V 50Y60) N8
Manufacturer's Info	S&P
Identifier	-
Typology	NRVU unidirectional
Drive	3-speed
Type of HRC	None
Thermal efficiency (%)	NA
Qnom (m3/s)	0,09
Pelec (kW)	0,05
SFPint (W/m3/s)	NA
Face velocity (m/s)	3,6
$\Delta ps,ext$ (Pa)	168
$\Delta ps,int$ (Pa)	NA
$\Delta ps,add$ (Pa)	NA
Static efficiency fans (%)	30,4
External leakage rate (%)	5
Internal leakage rate (%)	NA
Filter performance	NA
Filter warning	NA
LWA dB(A)	54
https://www.solerpalau.com/	