

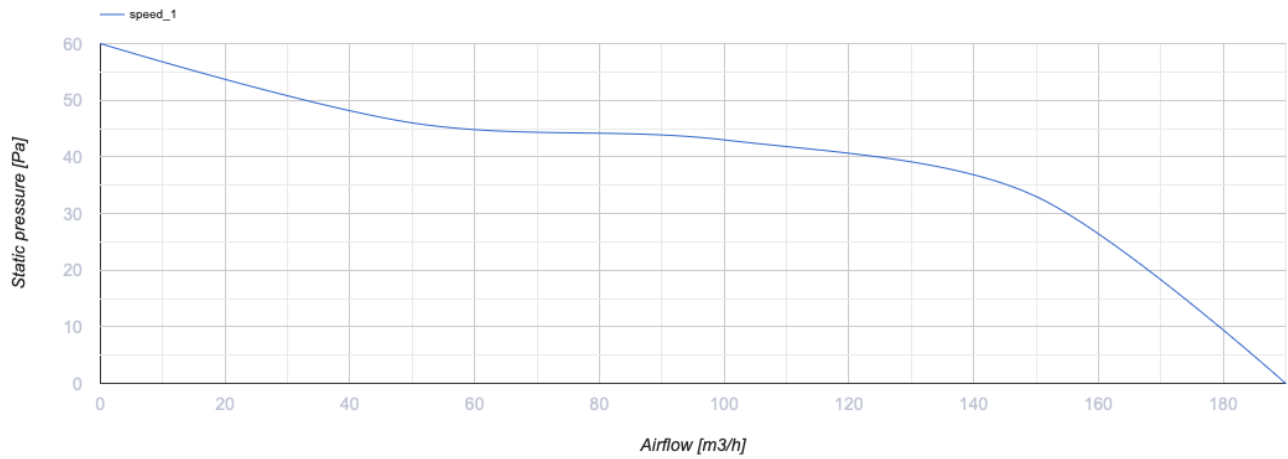
125 VK01



Axial inline fans, for exhaust or supply ventilation

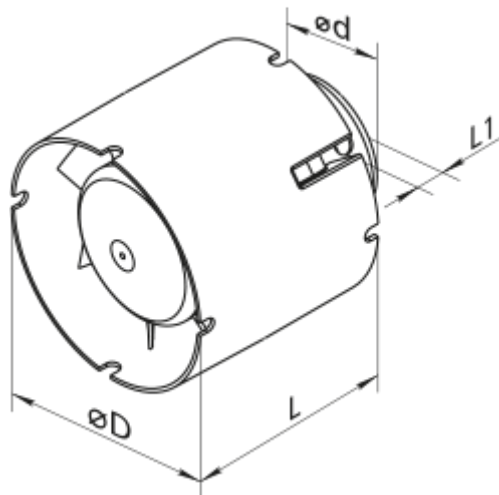
- Maximum airflow: 190
- Sound pressure level LpA at 3 m: 38
- Motor type: AC
- Casing material: Plastic

| | Unit of measurement | 125 VK01 |
|---------------------------------|---------------------|----------|
| Connected air duct size | mm | 125 |
| Speed | - | 1 |
| Minimum supply voltage | V | 220 |
| Maximum supply voltage | V | 240 |
| Power supply frequency | Hz | 50/60 |
| Rated power | W | 16 |
| Unit current | A | 0.1 |
| Maximum airflow | m ³ /h | 190 |
| Sound pressure level LpA at 3 m | dB(A) | 38 |
| Weight | kg | 0.43 |
| Ambient air temperature min | °C | 1 |
| Ambient air temperature max | °C | 40 |
| Ingress protection rating | - | IPX4 |

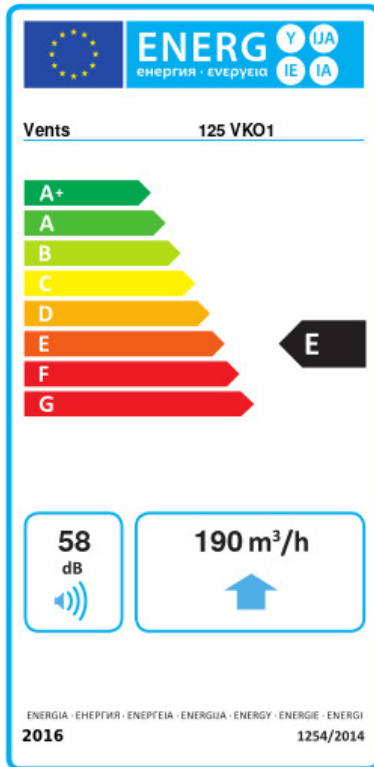


Dimensions

| $\varnothing D$ | $\varnothing d$ | L | L1 |
|-----------------|-----------------|----|----|
| 125 | 59 | 90 | 28 |



Ecodesign



| | | | | | | |
|---|----------------|---|---------|---|------|---|
| Trademark | Vents | | | | | |
| Model | 125 VK01 | | | | | |
| Specific energy consumption (SEC) (kWh/(m ² /a)) | Cold | | Average | | Warm | |
| | 32 | B | 15 | E | 6 | F |
| Type of ventilation unit | Unidirectional | | | | | |
| Type of drive installed | Multi-speed | | | | | |
| Type of heat recovery system | None | | | | | |
| Maximum flow rate (m ³ /h) | 190 | | | | | |
| Electric power input (W) | 16 | | | | | |
| Reference flow rate (m ³ /s) | 0.037 | | | | | |
| Specific power input (SPI) (W/(m ³ /h)) | 0.054 | | | | | |
| Control typology | Manual control | | | | | |
| Maximum external leakage rates (%) | 2.7 | | | | | |
| Declared typology | RVU UVU | | | | | |
| Sound power level (dB(A)) | 58 | | | | | |
| The annual electricity consumption (AEC) (kWh/a) | Cold | | Average | | Warm | |
| | 100 | | 100 | | 100 | |
| The annual heating saved (AHS) (kWh/a) | Cold | | Average | | Warm | |
| | 3400 | | 1700 | | 800 | |