



TD-SILENT

5211318000 - TD-160/100 N SILENT (220-240V50HZ) RE - IN-LINE DUCT FANS



Range of low profile in-line mixed flow duct fans manufactured in tough reinforced plastic (from 160 to 200 models) or in galvanised steel sheet protected with anti-corrosive epoxy-polyester paint (from 4000 and 6000 models). The unique design of the support bracket allows the motor and impeller assembly to be fitted or removed without dismantling the adjacent ducting.

Motors

Models 160 to 2000:

IP44, Class B, with permanently lubricated ball bearings and thermal protector.

Supply voltage:

2-speed single-phase, 230V-50Hz (models 160 to 350)

3-speed single-phase, 230V-50/60Hz (models 500 to 2000)

Speed controllable by tension.

Models 4000 to 6000:

IP44, Class B, with permanently lubricated ball bearings and thermal protector.

Supply voltage:

Single-phase 1-speed 230V-50/60Hz, Speed controllable by tension.

Theoretical Working Point

Airflow	-
Static Pressure	0,000 Pa
Temperature	20 °C
Altitude	0 m
Density	1,2 kg/m ³
Frequency	50 Hz

Construction

Discharge diameter	100 mm
Fan size	100
Blades	0
Weight	1,07 kg

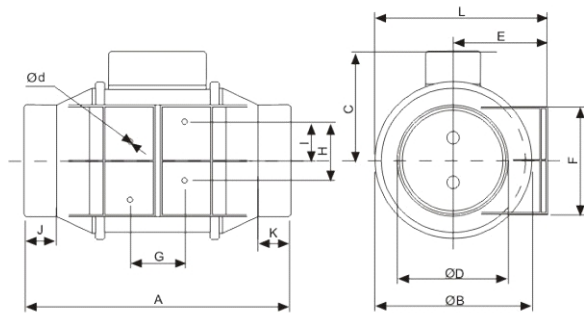
Motor Characteristics

Number of poles	2
Voltage	1-230V-50Hz
Maximum absorbed current	0,2 A
IP Rating	IP44
Motor insulation class	B

Working Point

Fan speed	2400
-----------	------

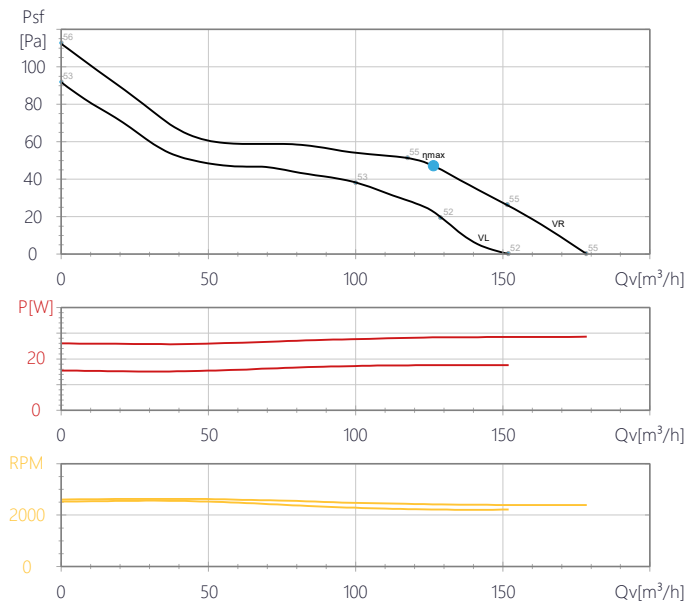
Drawing



A	ØB	C	ØD	E	F	G	H	Ød
232	135.5	95	97	82	95.5	47.5	51.5	4.5

I	J	L	K
34	28	151	28

Performance Chart





TD-SILENT

5211318000 - TD-160/100 N SILENT (220-240V50HZ) RE - IN-LINE DUCT FANS

Sound Performance

	63	125	250	500	1k	2k	4k	8k	Overall
Inlet (LwA)	24	37	41	48	52	47	39	30	55
Inlet LpA @ 1m	13	26	30	37	41	36	28	19	44
Outlet (LwA)	27	42	38	50	51	45	40	31	55
Outlet LpA @ 1m	16	31	27	39	40	34	29	20	44
Surrounding (LwA)	23	30	41	36	35	38	32	21	45
Surrounding LpA @ 1m	12	19	30	25	24	27	21	10	34





TD-SILENT

5211318000 - TD-160/100 N SILENT (220-240V50HZ) RE - IN-LINE DUCT FANS

ErP Data

Ecodesign	
Commission regulation (EU) N°1253/2014 of July 2014	
Information requirements (Annex V)	
ProductoComercial	TD-160/100 N SILENT (220-240V50HZ) RE
Identifier	5211318000
SEC average climate (kWh/(m2.an))	-11,1
SEC class	NA
SEC cold climate (kWh/(m2.an))	-27,5
SEC warm climate (kWh/(m2.an))	-1,8
Typology	RVU unidirectional
Type of drive	2-speed
Type of HRC	None
Thermal efficiency (%)	0
Maximum flow rate (m3/h)	125
Electrical power input at maximum flow rate (W)	27,7
Sound power level (LWA)	43
Reference flow rate (m3/s)	0,025
Reference pressure difference (Pa)	42
SPI (W/m3/h)	0,192
Control factor	1
Control typology	Manual
Maximum internal leakage for BVU (%)	Not applicable
Maximum external leakage for BVU and UVU (%)	5
Mixing rate for BVU without duct connection (%)	Not applicable
Position of visual filter warning	Not applicable
description of visual filter warning	Not applicable
Instructions to install supply grilles	F&W Leaflet
Instructions to install exhaust grilles	F&W Leaflet
https://www.solerpalau.com/	
Airflow sensitivity to pressure variation	Not applicable
Indoor/outdoor air tightness (m3/h)	Not applicable
Annual electricity consumption - Average climate (kWh/a)	240
Annual electricity consumption - Warm climate (kWh/a)	240
Annual electricity consumption - Cold climate (kWh/a)	240
Annual heating saved - Average climate (kWh/a)	1715
Annual heating saved - Warm climate (kWh/a)	776
Annual heating saved - Cold climate (kWh/a)	3355