

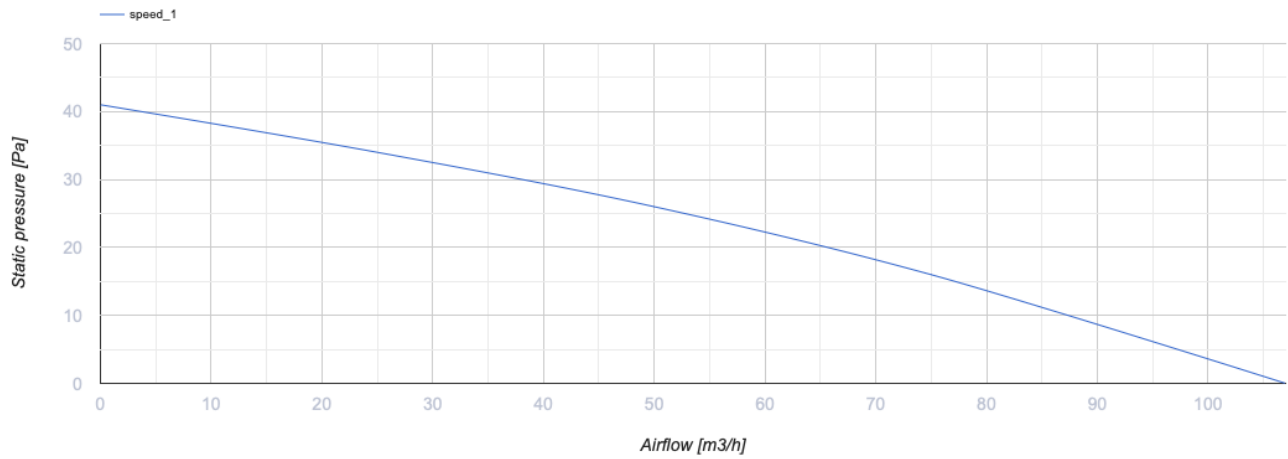
100 VKO1



Axial inline fans, for exhaust or supply ventilation

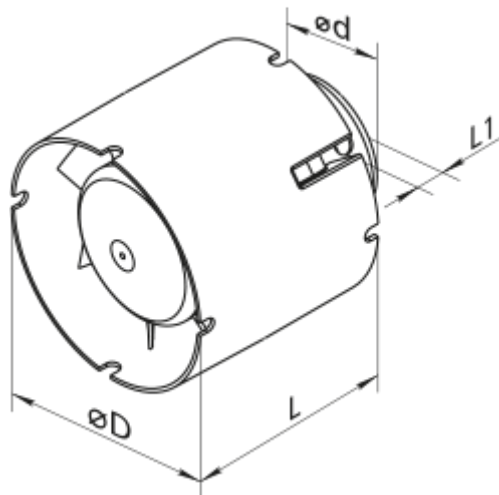
- Maximum airflow: 107
- Sound pressure level LpA at 3 m: 36
- Motor type: AC
- Casing material: Plastic

	Unit of measurement	100 VKO1
Connected air duct size	mm	100
Speed	-	1
Minimum supply voltage	V	220
Maximum supply voltage	V	240
Power supply frequency	Hz	50/60
Rated power	W	14
Unit current	A	0.085
Maximum airflow	m ³ /h	107
Sound pressure level LpA at 3 m	dB(A)	36
Weight	kg	0.41
Ambient air temperature min	°C	1
Ambient air temperature max	°C	40
Ingress protection rating	-	IPX4

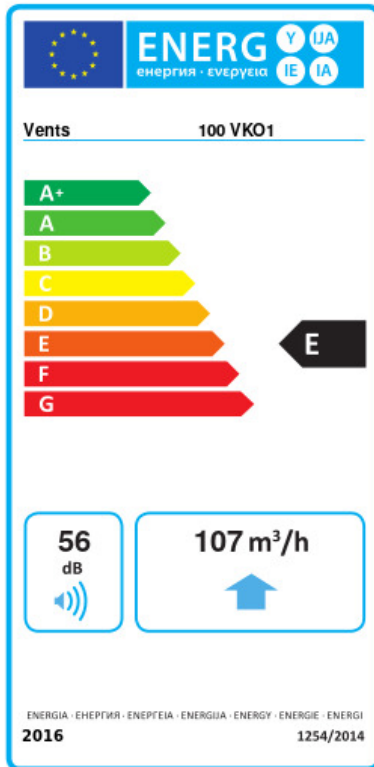


Dimensions

$\varnothing D$	$\varnothing d$	L	L1
100	59	100	10



Ecodesign



Trademark	Vents					
Model	100 VKO1					
Specific energy consumption (SEC) (kWh/(m ² /a))	Cold		Average		Warm	
	31	B	15	E	5	F
Type of ventilation unit	Unidirectional					
Type of drive installed	Multi-speed					
Type of heat recovery system	None					
Maximum flow rate (m ³ /h)	107					
Electric power input (W)	14					
Reference flow rate (m ³ /s)	0.021					
Specific power input (SPI) (W/(m ³ /h))	0.084					
Control typology	Manual control					
Maximum external leakage rates (%)	2.7					
Declared typology	RVU UVU					
Sound power level (dB(A))	56					
The annual electricity consumption (AEC) (kWh/a)	Cold		Average		Warm	
	100		100		100	
The annual heating saved (AHS) (kWh/a)	Cold		Average		Warm	
	3400		1700		800	