



# TD-MIXVENT

5211304900 - TD-800/200 3V (220-240V 50/60) N8 - IN-LINE DUCT FANS



Range of low profile in-line mixed flow duct fans manufactured in tough reinforced plastic (from 160 to 200 models) or in galvanised steel sheet protected with anti-corrosive epoxy-polyester paint (from 4000 and 6000 models). The unique design of the support bracket allows the motor and impeller assembly to be fitted or removed without dismantling the adjacent ducting.

## Motors

Models 160 to 2000:

IP44, Class B, with permanently lubricated ball bearings and thermal protector.

Supply voltage:

2-speed single-phase, 230V-50Hz (models 160 to 350)

3-speed single-phase, 230V-50/60Hz (models 500 to 2000)

Speed controllable by tension.

Models 4000 to 6000:

IP44, Class B, with permanently lubricated ball bearings and thermal protector.

Supply voltage:

Single-phase 1-speed 230V-50/60Hz, Speed controllable by tension.

## Theoretical Working Point

Airflow	-
Static Pressure	0,000 Pa
Temperature	20 °C
Altitude	0 m
Density	1,2 kg/m <sup>3</sup>
Frequency	50 Hz

## Construction

Discharge diameter	200 mm
Fan size	200
Blades	0
Weight	4,50 kg

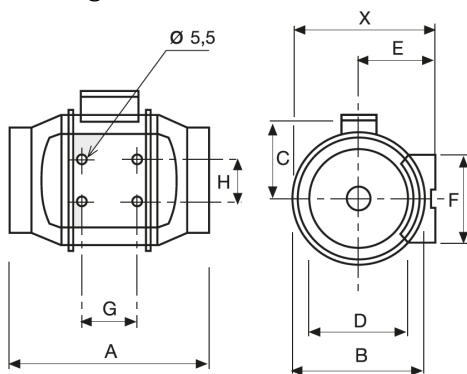
## Motor Characteristics

Number of poles	2
Voltage	1-230V-50Hz
Maximum absorbed current	0,6 A
IP Rating	IP44
Motor insulation class	B

## Working Point

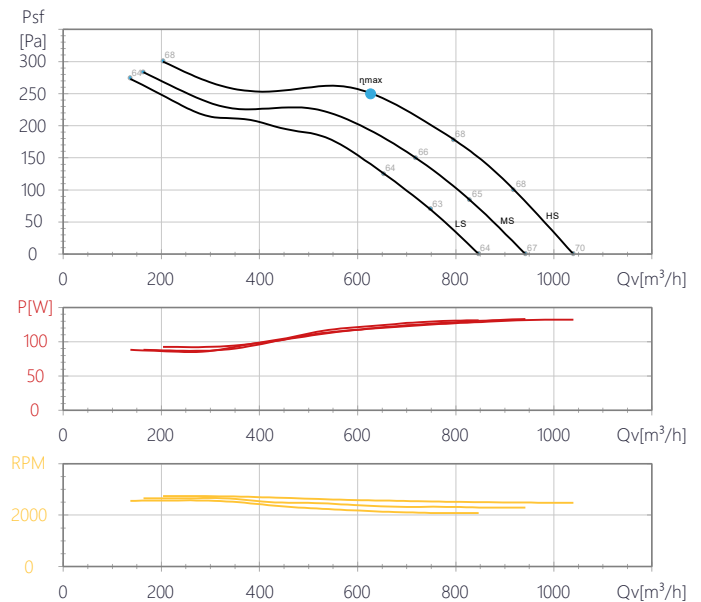
Fan speed	2480
-----------	------

## Drawing



X	A	B	C	D	E	F	G	H
232.5	302	217	141	198	124	140	100	94

## Performance Chart





# TD-MIXVENT

5211304900 - TD-800/200 3V (220-240V 50/60) N8 - IN-LINE DUCT FANS

## Sound Performance

	63	125	250	500	1k	2k	4k	8k	Overall
<b>Inlet (LwA)</b>	27	42	52	61	64	66	60	51	69
<b>Inlet LpA @ 1m</b>	16	31	41	50	53	55	49	40	58
<b>Outlet (LwA)</b>	46	46	53	61	68	68	63	53	72
<b>Outlet LpA @ 1m</b>	35	35	42	50	57	57	52	42	61
<b>Surrounding (LwA)</b>	20	38	43	46	52	54	44	32	57
<b>Surrounding LpA @ 1m</b>	9	27	32	35	41	43	33	21	46





# TD-MIXVENT

5211304900 - TD-800/200 3V (220-240V 50/60) N8 - IN-LINE DUCT FANS

## ErP Data

Ecodesign	
Commission regulation (EU) N°1253/2014 of July 2014	
Information requirements (Annex V)	
Product description	TD-800/200 3V (220-240V 50/60) N8
Manufacturer's Info	S&P
Identifier	-
Typology	NRVU unidirectional
Drive	3-speed
Type of HRC	None
Thermal efficiency (%)	NA
Qnom (m3/s)	0,17
Pelec (kW)	0,12
SFPint (W/m3/s)	NA
Face velocity (m/s)	5,4
$\Delta ps,ext$ (Pa)	249,4
$\Delta ps,int$ (Pa)	NA
$\Delta ps,add$ (Pa)	NA
Static efficiency fans (%)	36,6
External leakage rate (%)	5
Internal leakage rate (%)	NA
Filter performance	NA
Filter warning	NA
LWA dB(A)	60
<a href="https://www.solerpalau.com/">https://www.solerpalau.com/</a>	